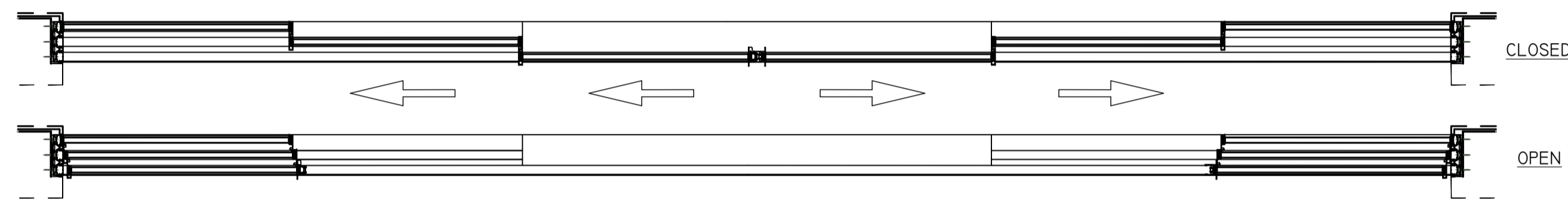
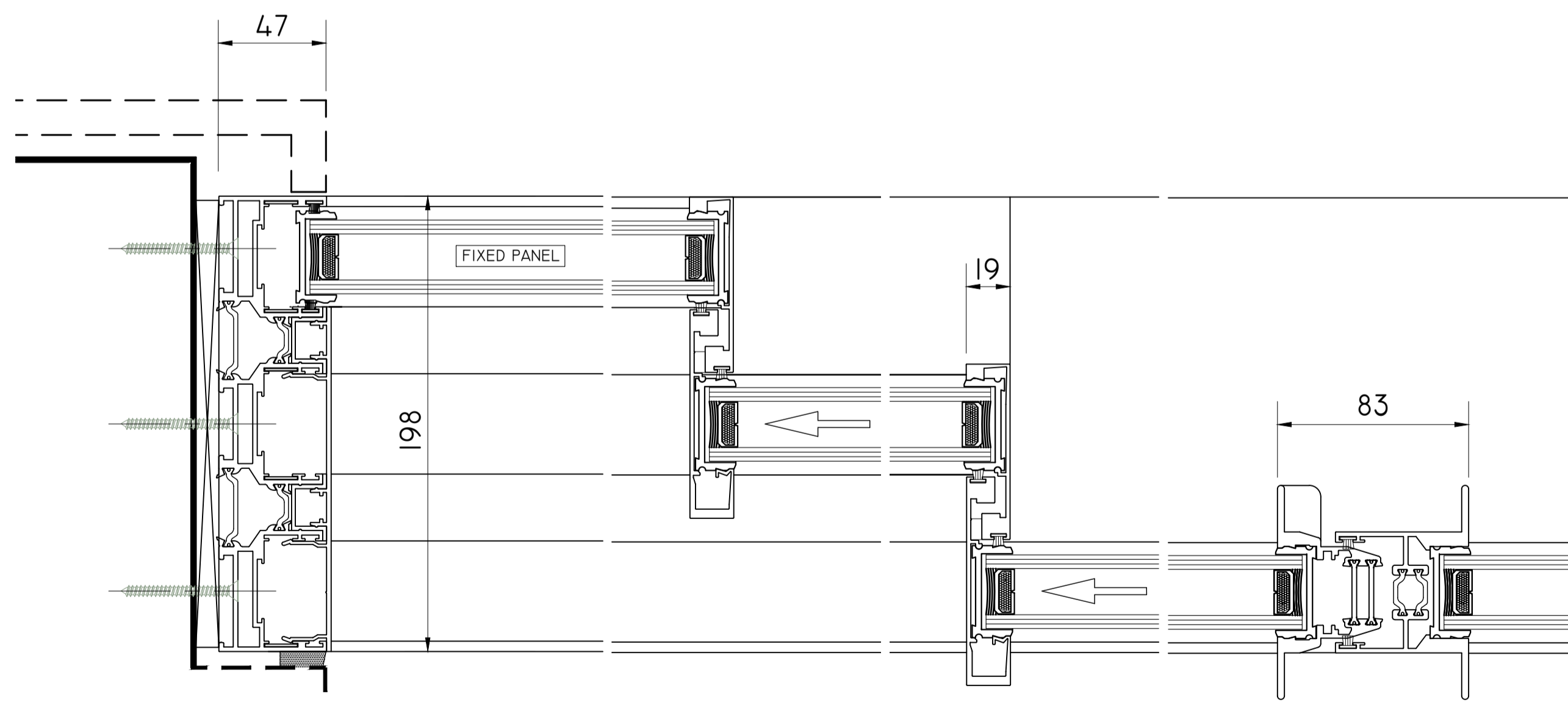


THE DOUBLE GLAZED UNITS ARE 32mm THK, INCORPORATE LOW 'E' COATINGS, WARM EDGE SPACER BARS AND ARGON FILLED CAVITIES TO ACHIEVE A CENTRE PANE 'U' VALUE OF 1.0W/m2K

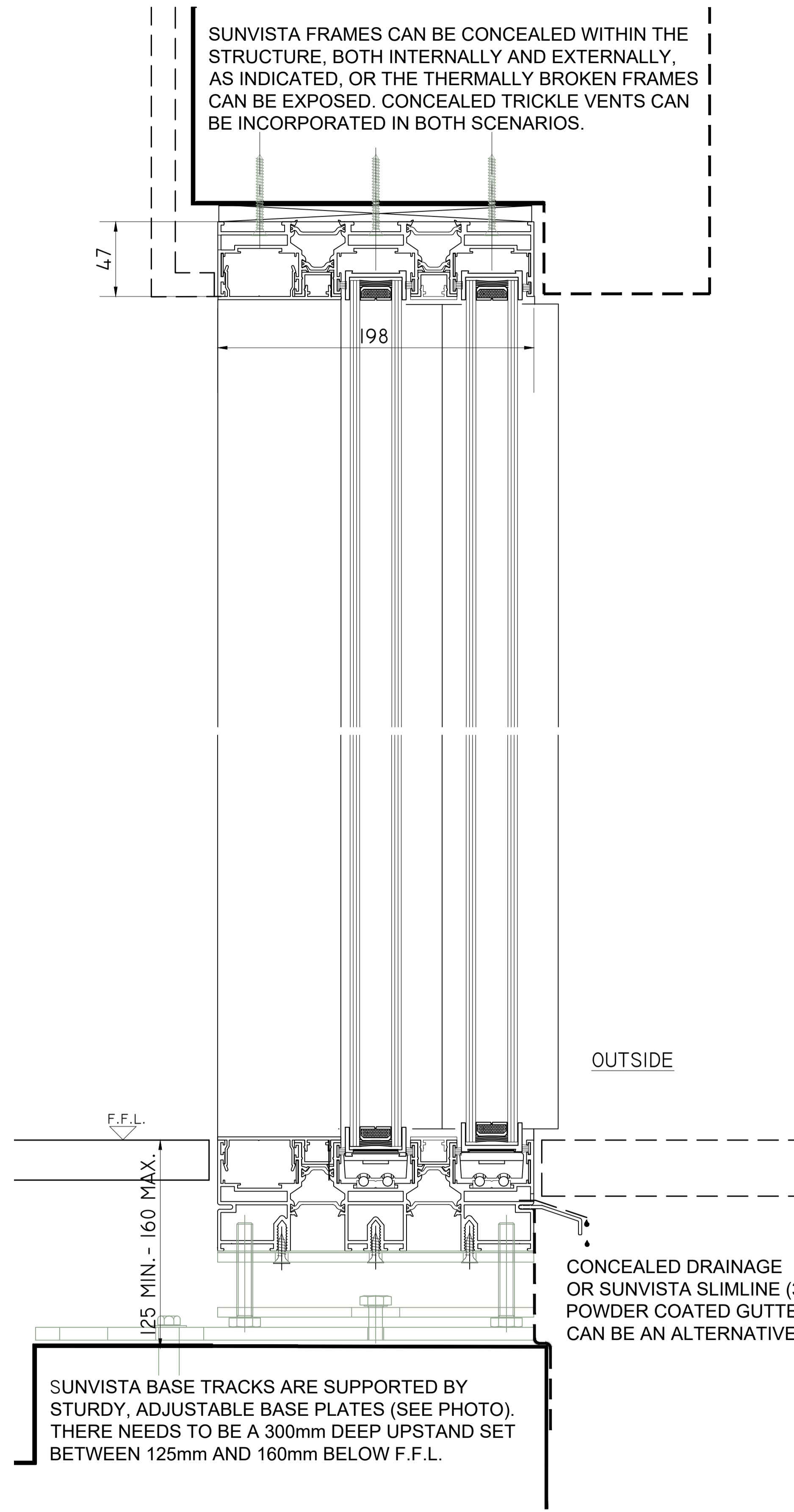
EXTERNAL ELEVATIONS



PLAN

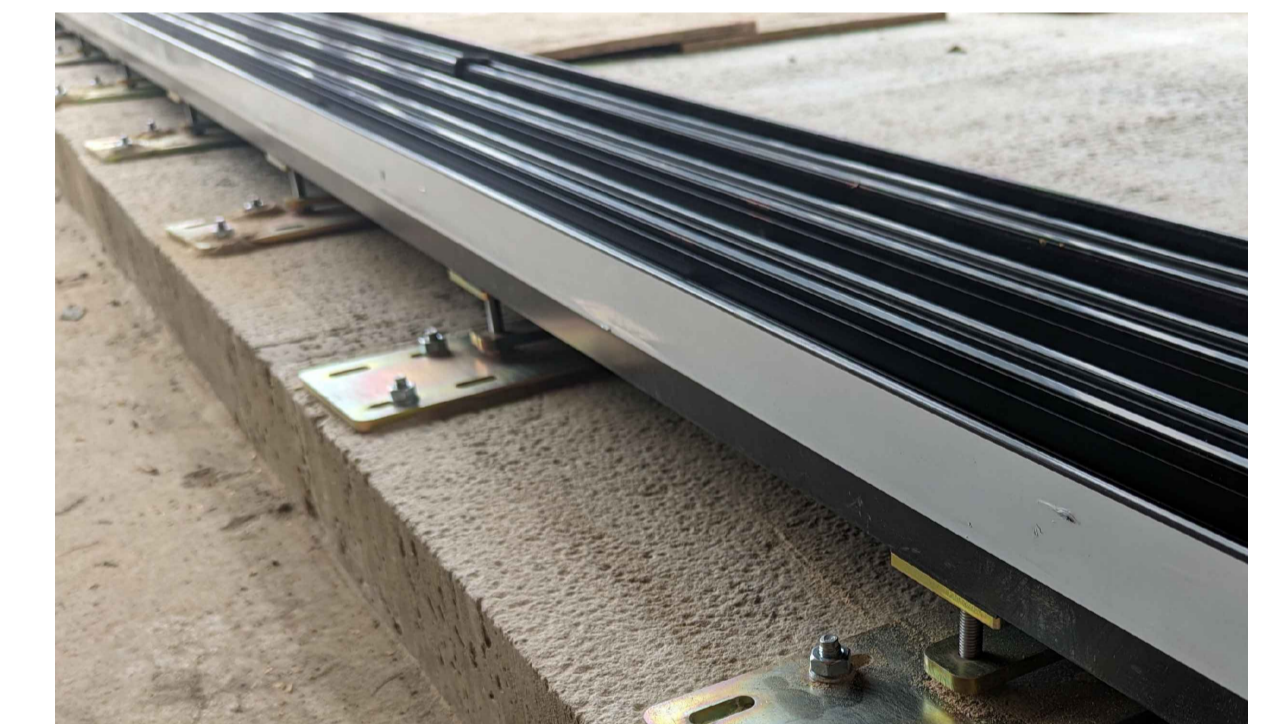
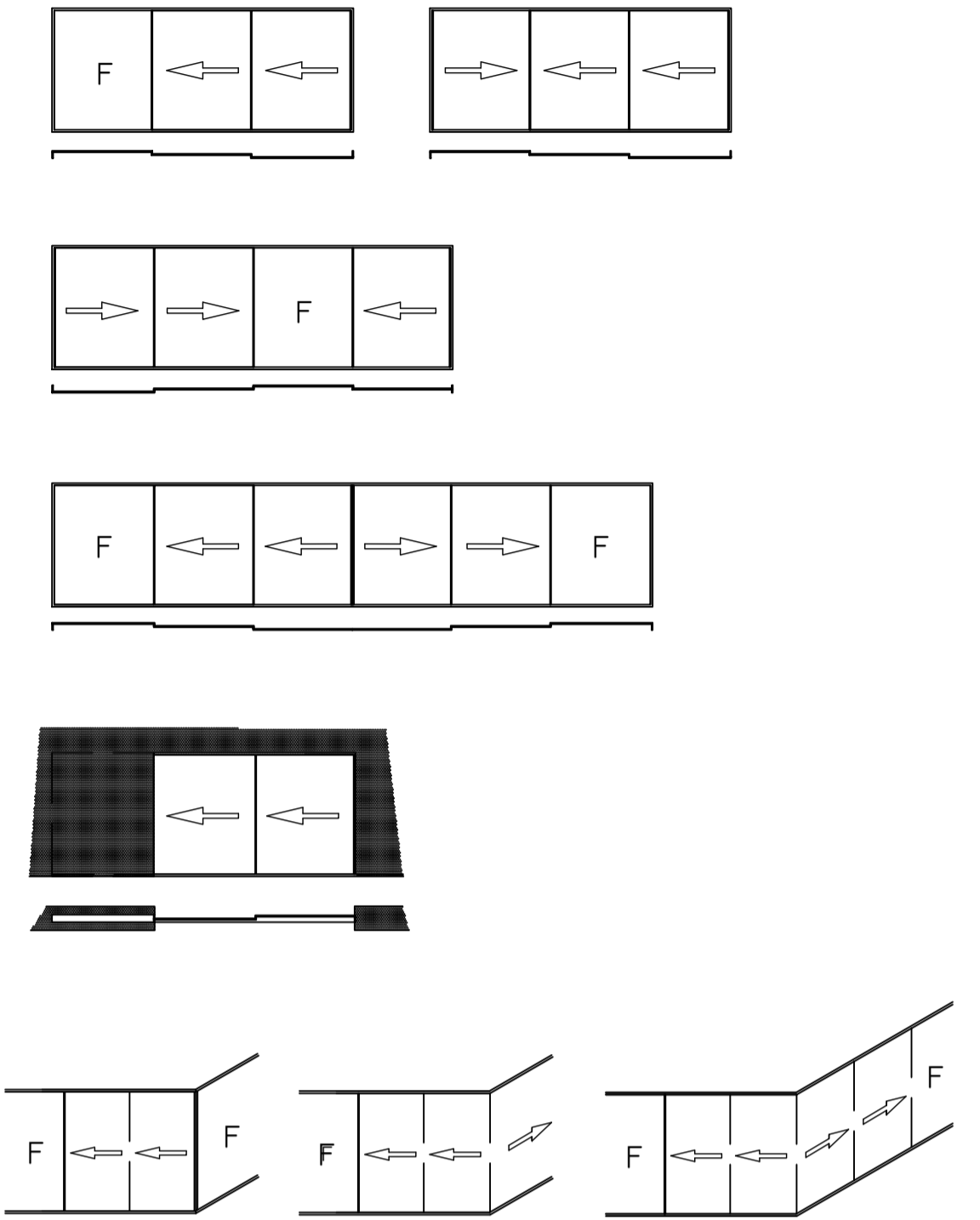


SECTION A.



SECTION B.

SOME THREE TRACK CONFIGURATION OPTIONS



BASE PLATE IMAGE

PROJECT: TYPICAL DETAILS
 DRAWING: SUNVISTA DOORS - 3 TRACK BI-PARTING

Sunvista
 Minimally framed sliding door system

SCALE: DATE: 30/3/26 DRAWN: MJB CHECKED:

DRAWING No. REVISION:

PLEASE REFER TO sunvista.co.uk/faq FOR FURTHER INFORMATION